

INCH-POUND

MIL-PRF-39012F  
w/AMENDMENT 3  
18 May 2017  
SUPERSEDING  
MIL-PRF-39012F  
w/AMENDMENT 2  
14 November 2016

## PERFORMANCE SPECIFICATION

### CONNECTORS, COAXIAL, RADIO FREQUENCY, GENERAL SPECIFICATION FOR

This specification is approved for use by all Departments  
and Agencies of the Department of Defense.

#### 1. SCOPE

1.1 Scope. This specification covers the general requirements and tests for radio frequency connectors used with flexible RF cables and certain other types of coaxial transmission lines.

1.2 Classification. Connectors are of the following classes, categories, and Part or Identifying Number (PIN), as specified ([see 3.1](#)).

1.2.1 Class. The class of connectors consists of the following:

- a. Class 1 - A class 1 connector is a connector which is intended to provide superior RF performance at specified frequencies, and for which all RF characteristics are completely defined.
- b. Class 2 - A class 2 connector is intended to provide mechanical connection within an RF circuit providing specified RF performance.

1.2.2 Categories. The categories of connectors are designated by an A (field serviceable), B (non-field replaceable), C (field replaceable solder center contact), D (field replaceable crimp center contact), E (field replaceable) and F (field replaceable crimp, for semirigid cable) as follows:

- a. Category A - Connectors, which do not require special tools to assemble are designated as category A connectors. Standard wrenches, soldering equipment, pliers, etc., are not defined as special tools.
- b. Category B - Connectors, which require special tools to be assembled are designated as category B connectors. These connectors may be used for original installations only. Field replacement is intended to be made by categories A, C, D, E, or F connectors, which will provide the same form, fit and function. Category B connectors will not be stocked or procured by the Government.

Comments, suggestions, or questions on this document should be addressed to DLA Land and Maritime, ATTN: VAI, P.O. Box 3990, Columbus OH 43218-3990 or email to [RFConnectors@dla.mil](mailto:RFConnectors@dla.mil). Since contact information can change, you may want to verify the currency of this address information using the ASSIST Online database at <https://assist.dla.mil>.

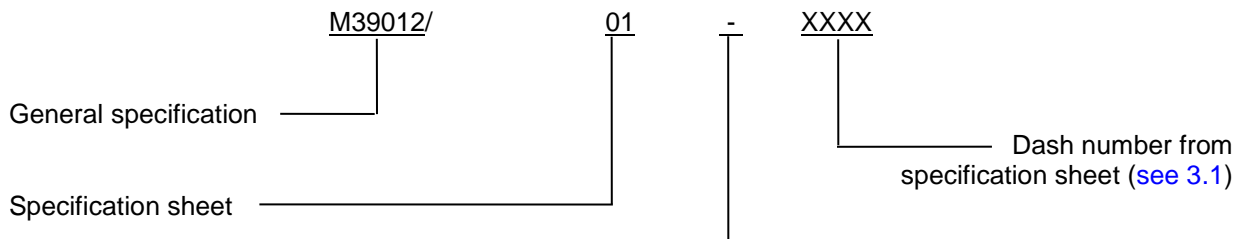


MIL-PRF-39012F  
w/AMENDMENT 3

- c. Category C - Connectors, which require only standard military crimping tools and standard cable stripping dimensions to assemble, are designated as category C connectors. The standard military crimping tool is as (see 3.1).
- d. Category D - Connectors, which require only standard military crimp tools for the center contact and outer ferrule, and standard cable stripping dimensions to assemble are designated as category D connectors. The standard military crimp tool is as specified (see 3.1).
- e. Category E - Connectors using semi-rigid cables with standard stripping dimensions and using standard military tools. The method of assembly of the connector to the cable outer conductor will be by solder.
- f. Category F - Connectors using semirigid cables with standard stripping dimensions and using standard military assembly tools. The method of assembly of the connector to the cable will be solderless.

1.2.3 PIN. The PIN consists of the letter "M" followed by the basic specification sheet number, and a sequentially assigned four-digit dash number. The first digit in the dash number designates the material and plating of the connector body (shell); i.e., "0" for silver plated brass, "3" for passivated corrosion-resistant steel, "4" for gold plated copper beryllium, or "7" for nickel plated brass.

Example:



The “-“ designates a standard military PIN. This position, when filled with the letter ‘B’ (i.e. M39012/01BXXXX), signifies a military PIN, which is for OEM use only. The part is assembled to the cable with special tooling. Acquisition of this type part by any agency other than OEM’s is prohibited and will result in the substitution of the equivalent military replacement part (i.e., if “M39012/01BXXXX” is submitted for acquisition, “M39012/01-XXXX” will be recommended.)

## 2. APPLICABLE DOCUMENTS

2.1 General. The documents listed in this section are specified in sections 3 and 4 of this specification. This section does not include documents cited in other sections of this specification or recommended for additional information or as examples. While every effort has been made to ensure the completeness of this list, document users are cautioned that they must meet all specified requirements cited in sections 3 and 4 of this specification, whether or not they are listed.

### 2.2 Government documents.

2.2.1 Specifications, standards, and handbooks. The following specifications, standards, and handbooks form a part of this document to the extent specified herein. Unless otherwise specified, the issues of these documents are those cited in the solicitation or contract.

MIL-PRF-39012F  
w/AMENDMENT 3

FEDERAL STANDARDS

FED-STD-H28 - Screw-Thread Standards for Federal Services

COMMERCIAL ITEM DESCRIPTIONS

A-A-59588 - Rubber, Silicone

DEPARTMENT OF DEFENSE SPECIFICATIONS

MIL-DTL-45204 - Gold Plating, Electrodeposited  
MIL-STD-790 - Standard Practice for Established Reliability and High Reliability Qualified Products List (QPL) Systems for Electrical, Electronic, and Fiber Optic Parts.

(Copies of these documents are available online at <http://quicksearch.dla.mil/>.)

DEPARTMENT OF DEFENSE STANDARDS

MIL-STD-130 - Identification Marking of U.S. Military Property  
MIL-STD-202 - Test Methods for Electronic and Electrical Component Parts  
MIL-STD-202-101 - Salt Atmosphere (Corrosion)  
MIL-STD-202-106 - Moisture Resistance  
MIL-STD-202-107 - Thermal Shock  
MIL-STD-202-112 - Seal  
MIL-STD-202-201 - Vibration  
MIL-STD-202-213 - Shock (Specified Pulse)  
MIL-STD-202-302 - Insulation Resistance  
MIL-STD-202-301 - Dielectric Withstanding Voltage  
MIL-STD-348 - Radio Frequency Connector Interfaces  
MIL-STD-889 - Dissimilar Metals

(Copies of these documents are available online at <https://assist.dla.mil/>.)

2.3 Non-Government publications. The following documents form a part of this document to the extent specified herein. Unless otherwise specified, the issues of these documents are those cited in the solicitation or contract.

ASTM INTERNATIONAL

ASTM A342/A342M - Standard Test Methods for Permeability of Feebly Magnetic Materials  
ASTM A484/A484M - Steel, Bars, Billets and Forgings, Stainless  
ASTM A582/A582M - Free-Machining Stainless and Heat-Resisting Steel Bars  
ASTM B16/B16M - Rod, Brass, Free-Cutting, Bar and Shapes for use in Screw Machines  
ASTM B36/B36M - Plate, Brass, Sheet, Strip, and Rolled Bar  
ASTM B88 - Tube, Water, Seamless Copper  
ASTM B121/B121M - Plate, Leaded Brass, Sheet, Strip, and Rolled Bar  
ASTM B124/B124M - Copper and Copper Alloy Forging Rod, Bar, and Shapes  
ASTM B139/B139M - Rod, Phosphor Bronze, Bar, and Shapes  
ASTM B152/B152M - Copper Sheet, Strip, Plate, and Rolled Bar  
ASTM B194 - Copper-Beryllium Alloy Plate, Sheet, Strip and Rolled Bar  
ASTM B196/B196M - Rod and Bar, Copper-Beryllium Alloy  
ASTM B197/B197M - Wire, Alloy, Copper-Beryllium

MIL-PRF-39012F  
w/AMENDMENT 3

ASTM B455	- Standard Specification for Copper-Zinc-Lead Alloy (Leaded-Brass) Extruded Shapes.
ASTM B488	- Gold for Engineering Uses, Electrodeposited Coatings of
ASTM B700	- Electrodeposited Coatings of Silver for Engineering Uses
ASTM D2116	- Molding and Extrusion Materials, FEP-Fluorocarbon
ASTM D4894	- Polytetrafluoroethylene (PTFE) Granular Molding and RAM Extrusion Materials
ASTM D4895	- Polytetrafluoroethylene (PTFE) Resins Produced From Dispersion

(Copies of these documents are available from <http://www.astm.org>.)

AMERICAN NATIONAL STANDARDS INSTITUTE, (ANSI)

ASME B46.1	- Surface Texture (Surface Roughness, Waviness, and Lay)
------------	--

(Copies of these documents are available online from <http://www.ansi.org>.)

AEROSPACE INDUSTRIES ASSOCIATION OF AMERICA INC. (AIA/NAS)

NASM20995	- Wire, Safety or Lock
-----------	------------------------

(Copies of these documents are available online from <http://aia-aerospace.org>.)

SAE INTERNATIONAL

SAE-AMS-QQ-N-290	- Nickel Plating (Electrodeposited)
SAE-AMS-2700	- Passivation of Corrosion Resistant Steels
SAE-EIA557	- Statistical Process Control Systems

(Copies of these documents are available online from <http://www.sae.org>.)

ELECTRONIC INDUSTRIES ALLIANCE (EIA)

EIA-364	- Electrical Connector/Socket Test Procedures Including
---------	---

(Copies of these documents are available online at <http://www.eia.org>.)

2.4 Order of precedence. Unless otherwise noted herein or in the contract, in the event of a conflict between the text of this document and the references cited herein (except for related specification sheets), the text of this document takes precedence. Nothing in this document, however, supersedes applicable laws and regulations unless a specific exemption has been obtained.

### 3. REQUIREMENTS

3.1 Specification sheets. The individual item requirements shall be as specified herein and in accordance with the applicable specification sheets. In the event of any conflict between requirements of this specification and the specification sheet, the latter shall govern.

3.2 Qualification. Connectors and accessories furnished under this specification shall be products that are authorized by the qualifying activity for listing on the applicable qualified products list before contract award (see 4.3 and 6.3). After qualification, if the manufacturer seeks to make design changes or process changes to qualified product, or if the manufacturer seeks to use alternate / substitute materials, then the

MIL-PRF-39012F  
w/AMENDMENT 3

manufacturer shall coordinate with the qualifying activity and obtain its approval for proposed changes prior to implementing design or process changes to qualified product.

3.2.1 Qualified Products List (QPL) system. The manufacturer shall establish and maintain a quality system that allows its parts that are covered by this specification to be listed on the QPL. Requirements for this system are specified in MIL-STD-790. In addition, the manufacturer shall establish a Statistical Process Control (SPC) system that meets the requirements specified in SAE-EIA557.

3.3 Critical Interface material. Material shall be as specified herein and in [table I](#). If materials other than those specified are used, the contractor shall certify to the qualifying activity that the substitute material enables the connectors to meet the requirements of this specification. Acceptance or approval of any constituent material shall not be construed as a guaranty of the acceptance of the product. When a definite material is not specified, a material shall be used which will enable the connector to meet the requirements of this specification.

TABLE I. Materials.

Component material	Applicable specification
Steel	<a href="#">ASTM A484/A484M, ASTM A582/A582M</a>
Brass	<a href="#">ASTM B16/B16M, ASTM B36/B36M, ASTM B121/B121M, ASTM B455</a>
Phosphor bronze	<a href="#">ASTM B139/B139M</a>
Soft copper	<a href="#">ASTM B152/B152M</a>
Copper	<a href="#">ASTM B88, ASTM B124/B124M</a>
Copper-Beryllium	<a href="#">ASTM B194, ASTM B196/B196M, ASTM B197/B197M</a>
PTFE fluorocarbon	<a href="#">ASTM D4894, ASTM D4895</a>
FEP fluorocarbon	<a href="#">ASTM D2116</a>
Silicon rubber	<a href="#">A-A-59588</a>

3.3.1 Critical interface materials and finish. Unless otherwise specified ([see 3.1](#)), connector center contacts and bodies shall be plated in the following manner in order to meet the requirements of this specification and avoid detrimental interactions between dissimilar metals.

3.3.1.1 Center contacts. The male pin shall be plated to a minimum gold thickness of 50 micro inches (1.27µm) in accordance with MIL-DTL-45204 type II, grade C, class 1, or ASTM B488, type II, code C, class 1.27, over 50 micro inches (1.27µm) minimum of nickel in accordance with [SAE-AMS-QQ-N-290](#), class 1, measured anywhere along the mating surface, for all series. The socket contact shall be plated to a minimum of 50 micro inches (1.27 µm) of gold in accordance with MIL-DTL-45204 type II, grade C, class 1, or ASTM B488, type II, code C, class 1.27, over 50 micro inches (1.27 µm) minimum of nickel in accordance with [SAE-AMS-QQ-N-290](#), class 1, including the ID, measured at a depth of .040 inch minimum. The plating on non-significant surfaces in the ID shall be of sufficient thickness to ensure plating continuity and uniform utility and protection. This plating may consist of an underplate only. A silver underplate shall not be permitted.

NOTE: No PIN changes will be made as a result of this plating change. The change will be tracked via the manufacturer's date code.

3.3.1.2 Connector bodies. All brass bodied connectors shall be silver plated in accordance with [ASTM B700](#) to a minimum thickness of 0.0002 inch (0.005 mm) over a copper underplate or shall be

MIL-PRF-39012F  
w/AMENDMENT 3

nickel plated in accordance with [SAE-AMS-QQ-N-290](#) over a copper underplate, only when specified on the individual specification sheet. If not specifically noted the plating shall be silver. (Note of caution! Nickel plated connectors may cause Passive Intermodulation (PIM) problems. The user is ADVISED to check the application involved when choosing this type of plating.) All copper beryllium bodied connectors shall be gold plated to a minimum thickness of 50 micro inches (1.27µm) in accordance with MIL-DTL-45204 type II, grade C, class 1, or ASTM B488, type II, code C, class 1.27, over a copper flash. All corrosion resistant steel bodied connectors shall be passivated in accordance with [SAE-AMS-2700](#), unless otherwise specified ([see 3.1](#)). NOTE: Ferrous or nickel alloys shall not be used on brass or copper beryllium bodied connectors (i.e. coupling nuts, etc.).

3.3.2 Dissimilar metals. Dissimilar metals between which an electromotive couple may exist shall not be placed in contact with each other. Reference is made to [MIL-STD-889](#) for definition of dissimilar metals.

3.3.3 Nonmagnetic materials. All parts (except hermetic sealed connectors) shall be made from materials which are classed as nonmagnetic ([see 3.8](#)).

3.3.4 Spring members. Unless otherwise specified ([see 3.1](#)), center contact spring members shall be made of copper beryllium.

3.3.5 Recycled, recovered, environmentally preferable, or biobased materials. Recycled, recovered, environmentally preferable, or biobased materials should be used to the maximum extent possible, provided that the material meets or exceeds the operational and maintenance requirements, and promotes economically advantageous life cycle costs.

3.4 Configuration and features. Connectors shall be of the configuration and physical dimensions specified ([see 3.1](#)). On class I connectors ([see 1.2.1](#)) each half of a connector pair must be separately optimized in VSWR ([see 4.6.11](#)). It is not permitted to compensate for discontinuities of one connector by the design of the mating connector.

3.4.1 Mating (visual indication). When applicable ([see 3.1](#)), a visual means shall be provided to indicate when two mating connectors are properly mated.

3.4.2 Screw threads. Screw threads shall be in accordance with [FED-STD-H28](#) unless otherwise specified ([see 3.1](#)).

3.4.3 Connector interfaces. Connector interfaces shall be in accordance with [MIL-STD-348](#) unless otherwise specified ([see 3.1](#)).

3.5 Force to engage/disengage.

3.5.1 Bayonet and threaded types. When tested as specified in [4.6.2.1](#), the torque necessary to completely couple or uncouple the connectors shall not exceed that specified ([see 3.1](#)). Also the longitudinal force necessary to initiate the engaging or disengaging cycle shall not exceed that specified ([see 3.1](#)).

3.5.2 "Push on" connector types. When tested as specified in [4.6.2.2](#), the forces necessary to fully engage or disengage the connector shall not exceed that specified ([see 3.1](#)).

3.6 Coupling proof torque. When tested as specified in [4.6.3](#), the coupling mechanism (threaded types) shall not be dislodged, and the connector shall meet requirements of [3.5.1](#). The interface dimensions of the connector shall remain as specified ([see 3.1](#)).

MIL-PRF-39012F  
w/AMENDMENT 3

3.7 Mating characteristics. When connectors are tested as specified in 4.6.4, the mating dimensions shall be gauged as specified and the dimensions shall remain within the specified tolerances (see 3.1).

3.8 Permeability of nonmagnetic materials. When connectors (except hermetic sealed) are tested as specified in 4.6.5, the permeability ( $\mu$ ) shall be less than 2.0. The permeability does not apply to connector hardware.

3.9 Hermetic seal (pressurized connectors). When connectors are tested as specified in 4.6.6, the leakage rate shall not exceed that specified (see 3.1).

3.10 Leakage (pressurized connectors). When connectors are tested as specified in 4.6.7, there shall be no leakage as detected by escaping air bubbles.

3.11 Insulation resistance. When connectors are tested as specified in 4.6.8, the insulation resistance shall not be less than that specified (see 3.1).

3.12 Center contact retention. When all class I connectors, and class II where applicable (see 3.1) are tested as specified in 4.6.9, the center contacts must not be displaced from the specified interface dimensions in the uncabled connector by the application of the specified axial force (see 3.1) in either direction or torque.

3.13 Corrosion. When connectors are tested as specified in 4.6.10, there shall be no exposure of the base metal on the interface or mating surface, and they shall meet the requirements of 3.5.1 or 3.5.2 as applicable.

3.14 Voltage standing wave ratio (VSWR). When connectors are tested as specified in 4.6.11, the VSWR shall not exceed that specified over the frequency range specified (see 3.1).

3.15 Connector durability. When connectors are tested as specified in 4.6.12, they shall show no evidence of severe mechanical damage and the coupling device shall remain functional. Connectors shall meet the applicable requirements of 3.5 and 3.7.

3.16 Contact resistance. When connectors are tested as specified in 4.6.13, the contact resistance of the center contact, outer contact, and braid to connector shall be as specified (see 3.1). The following statement takes precedence over any specification sheet interpretation. The outer contact resistance values given for steel bodied connectors are typical values and are for engineering information purposes only.

3.17 Dielectric withstanding voltage. When connectors are tested as specified in 4.6.14, there shall be no evidence of breakdown.

3.18 Vibration. When the cabled (or wired, as applicable) connector is tested as specified in 4.6.15, there shall be no electrical interruptions exceeding 1 microsecond ( $\mu$ s), or as otherwise specified (see 3.1). There shall be no evidence of visual mechanical damage after the test, and the contact resistance of the center contact shall not be changed by more than the specified amount (see 3.1 and 3.16).

3.19 Shock (specified pulse). When the cabled (or wired, as applicable) connector is tested as specified in 4.6.16, there shall be no electrical interruptions exceeding 1  $\mu$ s unless otherwise specified (see 3.1). There shall be no evidence of visual or mechanical damage after the test, and the contact resistance of the center contact shall not be changed by more than the specified amount (see 3.1).

MIL-PRF-39012F  
w/AMENDMENT 3

3.20 Thermal shock. After testing as specified in 4.6.17, there shall be no evidence of visual mechanical damage to the connector and it shall meet the dielectric withstanding voltage requirement (see 3.17), and the contact resistance specified for the center contact shall not be exceeded (see 3.16).

3.21 Moisture resistance. When connectors are tested as specified in 4.6.18, there shall be no evidence of damage. They shall withstand the dielectric withstanding voltage specified (see 3.17), and the insulation resistance shall not be less than that specified (see 3.11).

3.22 Corona level. When connectors are tested as specified in 4.6.19, at the altitude and voltage specified (see 3.1), there shall be no evidence of sustained corona discharge.

3.23 RF high potential withstanding voltage. When connectors are tested as specified in 4.6.20, there shall be no breakdown, or the leakage current specified shall not be exceeded (see 3.1).

3.24 Cable retention force. When connectors are tested as specified in 4.6.21, there shall be no evidence of mechanical failure, loosening, rupture, or discontinuity. The direct clamping of the cable jacket shall not be the primary method of cable retention.

3.25 Coupling mechanism retention force. When tested as specified in 4.6.22, the coupling mechanism shall not be dislodged from the connector and shall be capable of meeting the requirements of 3.5.1 immediately after the test.

3.26 RF leakage. When connectors are tested as specified in 4.6.23, the total leakage, cable to cable shall not exceed that specified (see 3.1).

3.27 RF insertion loss. When connectors are tested as specified in 4.6.24, the insertion loss shall not exceed that specified (see 3.1).

3.28 Assembly instructions. Complete assembly instructions shall be furnished by the vendor with each connector procured under this specification. It is not the intention of this specification to require assembly instructions with uncabled connectors (i.e., solder pot, solder tab or posts, etc.). Assembly instructions shall include:

- a. Cable preparation – stripping dimensions and tolerances.
- b. List and description of crimping or special tools if required (see 1.2.2).
- c. Pictorial presentation of sub-assemblies and loose piece parts
- d. Sufficient pertinent dimensions for verification of correct parts; as a minimum the cable entry openings for conductor, dielectric, braid, and jacket shall be specified.
- e. Recommended cable clamp tightening torque (if applicable).
- f. Military PIN and manufacturer's PIN.

3.29 Marking. Connectors and associated fittings shall be permanently and legibly marked in accordance with the general marking requirements of MIL-STD-130 with the military PIN (see 1.2.3), manufacturer's federal supply code, and final assembly date code. The marking location is optional; when practicable, a location should be picked that will be least likely to be covered in cable assembly or installation. Marking is required on all parts manufactured to this specification unless specifically excepted (see 3.1).

3.30 Workmanship. Connectors and associated fittings shall be processed in such a manner as to be uniform in quality and shall be free from sharp edges, burrs and other defects that will affect life, serviceability or appearance.



MIL-PRF-39012F  
w/AMENDMENT 3

3.31 Manufacturers' control drawing. Connector manufacturers shall insure that special tooling and dies are documented. The replacement category A, C, D, E, or F PIN's shall be listed on the manufacturers' control drawing.

3.32 Safety wire hole pullout. When applicable ([see 3.1](#)), the connectors are to be tested as specified in [4.6.25](#). There shall be no evidence of hole tear out.

#### 4. VERIFICATION

4.1 Classification of inspections. The inspection requirements specified herein are classified as follows:

- a. Qualification inspection ([see 4.3](#))
- b. Conformance inspection ([see 4.4](#)).
- c. Periodic inspection ([see 4.5](#)).

4.2 Inspection conditions. Unless otherwise specified, all inspections shall be performed in accordance with the test conditions specified in the "GENERAL REQUIREMENTS" of [MIL-STD-202](#) or [EIA-364](#). For each test of threaded coupling connectors, where the test is performed on mated pairs, the pair shall be torqued to the specified value ([see 3.1](#)).

4.3 Qualification inspection. Qualification inspection shall be performed at a laboratory acceptable to the Government ([see 6.3](#)) on sample units produced with equipment and procedures normally used in production.

4.3.1 Sample size. Thirty class 1 connectors of the same PIN, or eighteen class 2 connectors of the same PIN with its mating connector ([see 1.2.1](#)), shall be subjected to qualification inspection.

4.3.2 Group qualification. For group qualification of all series of connectors covered by this specification ([see 3.1](#)). Group qualification will be limited to those connectors for which evidence of manufacturing capability is demonstrated by providing engineering drawings to the qualifying agency. The Government reserves the right to authorize performance of any or all qualification inspection of additional types in the group that are considered necessary for qualification within each group.

4.3.3 Inspection routine. The sample shall be subjected to the inspections specified in [table II](#). All sample units shall be subjected to the inspection of group I. The sample units shall then be divided equally into six groups of 5 units (class 1) or three units each (class 2) and subjected to the inspection for their particular group and in the sequence given for that group.

4.3.4 Failures. One or more failures shall be cause for refusal to grant qualification approval.

4.3.5 Retention of qualification. To retain qualification, the contractor shall verify in coordination with the qualifying activity the capability of manufacturing products which meet the performance requirements of this specification. Refer to the qualifying activity for the guidelines necessary to retain qualification to this particular specification. The contractor shall immediately notify the qualifying activity at any time that the inspection data indicates failure of the qualified product to meet the performance requirements of this specification.

MIL-PRF-39012F  
w/AMENDMENT 3

TABLE II. Qualification inspection.

Examination or test	Requirement paragraph	Test method paragraph
<u>Group I</u>		
Visual and mechanical examination		
Material	3.3	4.6.1.1
Finish	3.3.1	
Dissimilar metals	3.3.2	
Configuration and features (dimensions)	3.4	4.6.1.2
Marking	3.29	
Mating (visual indication)	3.4.1	4.6.1.1
Force to engage/disengage		
Bayonet and threaded types	3.5.1	4.6.2.1
"Push-on" connector types	3.5.2	4.6.2.2
Coupling proof torque	3.6	4.6.3
Mating characteristics	3.7	4.6.4
Permeability of nonmagnetic materials	3.8	4.6.5
Workmanship	3.30	4.6.1
Hermetic seal (pressurized connectors only)	3.9	4.6.6
Leakage (pressurized connectors only)	3.10	4.6.7
Insulation resistance	3.11	4.6.8
<u>Group II</u>		
Center contact retention	3.12	4.6.9
Corrosion	3.13	4.6.10
<u>Group III</u>		
VSWR (cabled)	3.14	4.6.11
Connector durability	3.15	4.6.12
Safety wire hole pullout	3.32	4.6.25
<u>Group IV</u>		
Contact resistance	3.16	4.6.13
Dielectric withstanding voltage	3.17	4.6.14
Vibration <u>1/</u>	3.18	4.6.15
Shock (specified pulse) <u>1/</u>	3.19	4.6.16
Thermal shock	3.20	4.6.17
Moisture resistance	3.21	4.6.18
Corona level <u>1/</u>	3.22	4.6.19
RF high potential withstanding voltage <u>1/</u>	3.23	4.6.20
Cable retention force	3.24	4.6.21
Coupling mechanism retention force	3.25	4.6.22
<u>Group V</u>		
RF leakage <u>1/</u>	3.26	4.6.23
<u>Group VI</u>		
RF insertion loss <u>1/</u>	3.27	4.6.24
<u>Group VII</u>		
Contact resistance	3.16	4.6.13

1/ These tests to be performed only during initial qualification as long as the qualifying design and manufacturing process has not been changed.

MIL-PRF-39012F  
w/AMENDMENT 3

4.4 Conformance inspection.

4.4.1 Inspection of product for delivery. Inspection of product for delivery shall consist of groups A and B inspection.

4.4.1.1 Inspection lot. An inspection lot shall consist of all connectors of the same PIN produced under essentially the same conditions, and offered for inspection at one time.

4.4.1.2 Group A inspection. Group A inspection shall consist of the inspection specified in [table III](#) in the order shown.

4.4.1.2.1 Sampling plan (group A). [Table III](#) tests shall be performed on a production lot basis. Samples shall be selected in accordance with [table IV](#). If one or more defects are found, the lot shall be screened for that particular defect and defective parts removed. A new sample of parts shall be selected in accordance with [table IV](#) and all group A tests again performed. If one or more defects are found in the second sample, the lot shall be rejected and shall not be supplied to this specification. When defects have no effect on the use or performance of the subject parts, reworking of the parts may be permitted upon approval of both the Preparing and Qualifying activities. Such allowances are infrequent and only apply to particular circumstances..

TABLE III. Group A inspection.

Inspection	Requirement paragraph	Test method paragraph	Sampling procedure
Visual and mechanical examination			
Material	<a href="#">3.3</a>		See <a href="#">table IV</a>
Finish <sup>1/</sup>	<a href="#">3.3.1</a>		
Dissimilar metals	<a href="#">3.3.2</a>		
Configuration and features	<a href="#">3.4</a>	<a href="#">4.6.1.1</a>	
Marking	<a href="#">3.29</a>		
Workmanship	<a href="#">3.30</a>		
Mating (visual indication)	<a href="#">3.4.1</a>		
Dielectric withstanding voltage	<a href="#">3.17</a>	<a href="#">4.6.14</a>	
Hermetic seal (pressurized connectors only)	<a href="#">3.9</a>	<a href="#">4.6.6</a>	
Leakage (pressurized connectors only)	<a href="#">3.10</a>	<a href="#">4.6.7</a>	

<sup>1/</sup> Verification of finish may be accomplished using the manufacturer's process controls providing these controls are clearly equal to or more stringent than the requirements of this specification.

4.4.1.2.2 Visual inspection (group A inspection). Each connector shall be visually examined for completeness, workmanship, and identification requirements. Attention shall be given to those assemblies that require a gasket to determine the condition of the gasket. Gaskets missing, twisted, buckled, kinked, or damaged in any way shall be cause for rejection.

MIL-PRF-39012F  
w/AMENDMENT 3

TABLE IV. Inspection level.

Lot size	Visual and mechanical inspection
1 to 19	All
20 to 280	20
281 to 1,200	47
1,201 to 3,200	53
3,201 to 10,000	68
10,001 to 35,000	77
35,001 to 150,000	96
150,001 to 500,000	119
500,001 and over	143

4.4.1.3 Group B inspection. Group B inspection shall consist of the inspections specified in [table V](#) in the order shown, and shall be made on sample units which have been subjected to and passed the group A inspection. Connectors having identical piece parts may be combined for lot purposes and shall be in proportion to the quantity of each PIN numbered connector produced.

4.4.1.3.1 Group B sampling plan. A sample of parts shall be randomly selected in accordance with [table VI](#). If one or more defects are found, the lot shall be screened for that particular defect and defects removed. After screening and removal of defects, a new sample of parts shall be randomly selected and subjected to all tests in accordance with [table V](#). If one or more defects are found in the second sample, the lot shall be rejected and shall not be supplied to this specification.

TABLE V. Group B inspection.

Inspection	Requirement paragraph	Test method paragraph
Force to engage/disengage		
Bayonet and threaded type	<a href="#">3.5.1</a>	<a href="#">4.6.2.1</a>
"Push-on" connector type	<a href="#">3.5.2</a>	<a href="#">4.6.2.2</a>
Coupling proof torque	<a href="#">3.6</a>	<a href="#">4.6.3</a>
Mating characteristics	<a href="#">3.7</a>	<a href="#">4.6.4</a>
Permeability of nonmagnetic materials	<a href="#">3.8</a>	<a href="#">4.6.5</a>
Insulation resistance	<a href="#">3.11</a>	<a href="#">4.6.8</a>
VSWR (cabled) <sup>1/</sup>	<a href="#">3.14</a>	<a href="#">4.6.11</a>

<sup>1/</sup> Destructive test. When a VSWR failure occurs the defect which caused the failure shall be determined and the entire lot shall be screened for that/those particular defects and defects removed. A new sample of parts shall be selected in accordance with [table VI](#) and all tests again performed.

MIL-PRF-39012F  
w/AMENDMENT 3

TABLE VI. Inspection level.

Lot size		Sample size	VSWR sample size
1 to	4	All	1
5 to	15	5	1
16 to	50	5	2
51 to	90	5	3
91 to	150	11	3
151 to	280	13	3
281 to	500	16	3
501 to	1,200	19	5
1,201 to	3,200	23	5
3,201 to	10,000	29	5
10,001 to	35,000	35	5
35,001	and over	40	8

4.4.1.3.2 Lot definition (group B inspection). The production lot, as defined in MIL-STD-790, is further specified as follows:

- a. A production lot consists of all connectors covered under one military specification or standard, manufactured from the specified raw materials, processed under the same specification and procedures, produced by the same type of equipment, and submitted for inspection at one time. Each production lot of assembled connectors shall be a group identified by a common manufacturing record through all significant assembly operations.
- b. Common manufacturing records and traceability shall begin with machining and molding and shall include connector assembly. Traceability of connectors to specific physical/chemical test reports of incoming raw material is not required.

4.4.1.3.3 Disposition of sample units. Sample units which have passed all the group B inspection may be delivered on the contract or purchase order, if the lot is accepted. Any connector deformed or otherwise damaged during testing shall not be delivered on the contract or order.

4.5 Periodic inspection. Periodic inspection shall consist of group C. Except where the results of these inspections show noncompliance with the applicable requirements (see 4.5.1.4), delivery of products which have passed groups A and B shall not be delayed pending the results of these periodic inspections.

4.5.1 Group C inspection. Group C inspection shall consist of the inspections specified in table VII, in the order shown. Group C inspection shall be made on sample units selected from inspection lots which have passed the groups A and B inspection.

4.5.1.1 Sampling plan. Twelve sample units of the same PIN shall be selected from the first lot produced after the date of notification of qualification. Thereafter, twelve sample units of the same PIN shall be selected from current production after 200,000 connectors have been produced, or not less than once every 3 years, whichever occurs first. The sample units shall be divided equally and subjected to the inspections of the six subgroups.

4.5.1.2 Failures. If one or more sample units fails to pass group C inspection, the lot shall be considered to have failed.

MIL-PRF-39012F  
w/AMENDMENT 3

4.5.1.3 Disposition of sample units. Sample units which have been subjected to group C inspection shall not be delivered on the contract or order.

4.5.1.4 Noncompliance. If a sample fails to pass group C inspection, the manufacturer shall notify the qualifying activity and the cognizant inspection activity of such failure and take corrective action on the materials or processes, or both, as warranted, and on all units of product which can be corrected and which are manufactured under essentially the same materials and processes, and which are considered subjected to the same failure. Acceptance and shipment of the product shall be discontinued until corrective action, acceptable to the qualifying activity has been taken. After the corrective action has been taken, group C inspection shall be repeated on additional sample units (all tests and examinations, or the test which the original sample failed, at the option of the qualifying activity). Groups A and B inspections may be reinstated, however, final acceptance and shipment shall be withheld until the group C inspection has shown that the corrective action was successful. In the event of failure after reinspection, information concerning the failure shall be furnished to the cognizant inspection activity and the qualifying activity.

TABLE VII. Group C inspection.

Inspection	Requirement paragraph	Test method paragraph
Subgroup 1		
Center contact retention	3.12	4.6.9
Corrosion	3.13	4.6.10
Subgroup 2		
VSWR (cabled)	3.14	4.6.11
Connector durability	3.15	4.6.12
Safety wire hole pullout	3.32	4.6.25
Subgroup 3		
Contact resistance	3.16	4.6.13
Vibration <u>1/</u>	3.18	4.6.15
Shock (specified pulse) <u>1/</u>	3.19	4.6.16
Thermal shock	3.20	4.6.17
Moisture resistance	3.21	4.6.18
Corona level <u>1/</u>	3.22	4.6.19
RF high potential withstanding voltage <u>1/</u>	3.23	4.6.20
Cable retention forces	3.24	4.6.21
Coupling mechanism retention force	3.25	4.6.22
Subgroup 4		
RF leakage <u>1/</u>	3.26	4.6.23
Subgroup 5		
RF insertion loss <u>1/</u>	3.27	4.6.24
Subgroup 6		
Contact resistance	3.16	4.6.13

1/ These tests to be performed only during initial qualification as long as the qualifying design and manufacturing process has not been changed.

#### 4.6 Methods of inspection.

4.6.1 Test methods. The following identified tests and test methods assure connector integrity within typical operating conditions and applications. Alternate commercial industry standard test methods are allowed; however when an alternate method is used, the qualifying activity must be notified prior to the performance of the test. The test method described herein are proven methods and shall be the referee methods in case of dispute.

4.6.1.1 Visual and mechanical examination. Connectors and associated fittings shall be examined to verify that the design, construction, physical dimensions, assembly instructions, marking and workmanship are in accordance with the applicable requirements (see 3.1, 3.3, 3.4, 3.28, 3.29, and 3.30).

4.6.1.2 Dimensional examination. Mating dimensions shall be examined by mating the connector with its applicable mating gauges or other suitable means acceptable to the Government.

NOTE: The associated individual specification sheets show the overall dimension of the connector when assembled to the appropriate cable. Mating interface dimension are to be found in MIL-STD-348. The cable end construction and other dimensions are controlled by performance requirements of the specification (i.e., cable retention, VSWR, RF leakage, etc., with cable in place).

#### 4.6.2 Force to engage/disengage.

4.6.2.1 Bayonet and threaded types (see 3.5.1). The connector shall be engaged with its mating standard part (see 3.1). During the entire coupling/uncoupling cycle (until the connector is fully engaged/disengaged) the forces and/or torques necessary shall not exceed those specified (see 3.1). A threaded coupled connector is fully engaged with its mating standard part when their reference planes (see MIL-STD-348) coincide. A bayonet coupled connector is fully engaged with its mating standard part when the bayonet studs have passed the detent and their reference planes coincide. No additional tightening torque shall be applied. The mating standard part is a steel jig containing the critical interface dimensions finished to the tolerances specified (see MIL-STD-348). Its spring members when applicable shall be heat treated beryllium copper. The surface finish or mating surfaces shall be 16 microinches, maximum in accordance with ASME B46.1.

4.6.2.2 "Push-on" connector types (see 3.5.2). The connector under test shall be engaged with its standard mating part (gauge). During this engaging cycle the force necessary to fully engage the connectors shall not exceed that specified (see 3.1). Upon completion of engagement, an opposite force necessary for disengagement shall be applied. This force shall be within the limits specified, and shall include any unlatching forces required.

4.6.3 Coupling proof torque (see 3.6). The connector under test shall be engaged with its mating standard part (gauge) and the coupling nut tightened to the torque value specified (see 3.1). After one minute the connector under test and its mating standard part shall be disengaged.

4.6.4 Mating characteristics (see 3.7). After insertion of the specified oversize pin the specified number of times (see 3.1), the contact to be tested shall be held rigid by means of a suitable jig or fixture. A gauge containing the test pin or test ring and a suitable force indicating dial shall be aligned to within 0.004 TIR of any plane passing through the axis of the contact under test. Engagement or withdrawal of the test pin or test ring shall be made smoothly and at such a rate that the dial does not bounce or otherwise give a false reading. The test pin or test ring may be chamfered to facilitate entry, but the specified engagement length shall not include the chamfer length and the finish shall be as specified and in accordance with ASME B46.1.

MIL-PRF-39012F  
w/AMENDMENT 3

4.6.5 Permeability of nonmagnetic materials (see 3.8). The permeability of the connector shall be measured with an indicator conforming to [ASTM A342/A342M](#).

4.6.6 Hermetic seal (see 3.9). Connectors shall be tested in accordance with [MIL-STD-202-112](#). The following details shall apply:

- a. Test condition letter: C
- b. Procedure number: I.
- c. Leakage rate sensitivity:  $10^{-8}$  cubic centimeters per second.

4.6.7 Leakage (pressurized) (see 3.10). Connectors shall be subjected to air pressure specified ([see 3.1](#)) applied to one end, and the whole assembly immersed in water at a temperature of 15° to 25°C. The connector shall remain immersed for at least 2 minutes.

4.6.8 Insulation resistance (see 3.11). Connectors without cables (when applicable) shall be tested in accordance with test condition B, [MIL-STD-202-302](#). Measure between the center contact and body.

4.6.9 Center contact retention (see 3.12). An axial force ([see 3.1](#)) shall be applied, first in one direction and then the other, to the center contact of an assembled and uncabled connector utilizing a method and force measuring device suitable to the Government. The inner contact shall be inspected after the force has been applied in one direction and again after the force has been applied in the opposite direction to determine if the contact has been displaced from the specified interface dimensions. Torque: The torque specified shall be applied to the center contact of an unmated connector for a minimum period of 10 seconds, as applicable ([see 3.1](#)).

4.6.10 Corrosion (see 3.13). Unmated and uncabled connectors shall be tested in accordance with [MIL-STD-202-101](#). The following details and exceptions shall apply:

- a. Test condition letter: ([see 3.1](#))
- b. Salt solution: 5 percent.

After exposure, connectors shall be washed, shaken and lightly brushed as specified in [MIL-STD-202-101](#) and then permitted to dry for 24 hours at 40°C. Connectors shall then be examined for evidence of corrosion, pitting, and ease of coupling.

4.6.11 VSWR (see 3.14). The VSWR shall be measured in accordance with the following procedure or a method acceptable to the Government. In the event of dispute the method outlined herein shall be used.

The measurement shall be made on a Vector Network Analyzer using a full 12 term error correction with the appropriate calibration standards. A minimum of 400 data points shall be used.

Optional calibration: single port 6 term calibration can be used.

The test connector shall be terminated to an appropriate load. The cable's length should have attenuation equal to or greater than ½ the dynamic range of the analyzer. A termination can be added to the end of the long cable to ensure that no signal is reflected back to the connector under test.

4.6.12 Connector durability (see 3.15). Each connector under test shall be mated with a typical production connector in accordance with this specification. The connector shall be subjected to the number of cycles of mating and unmating specified ([see 3.1](#)). The connector and its mating part shall be completely engaged and completely disengaged during this cycle. Lubrication of the threads or rotational parts shall not be employed for this test unless specified ([see 3.1](#)). It is permissible to shake or blow



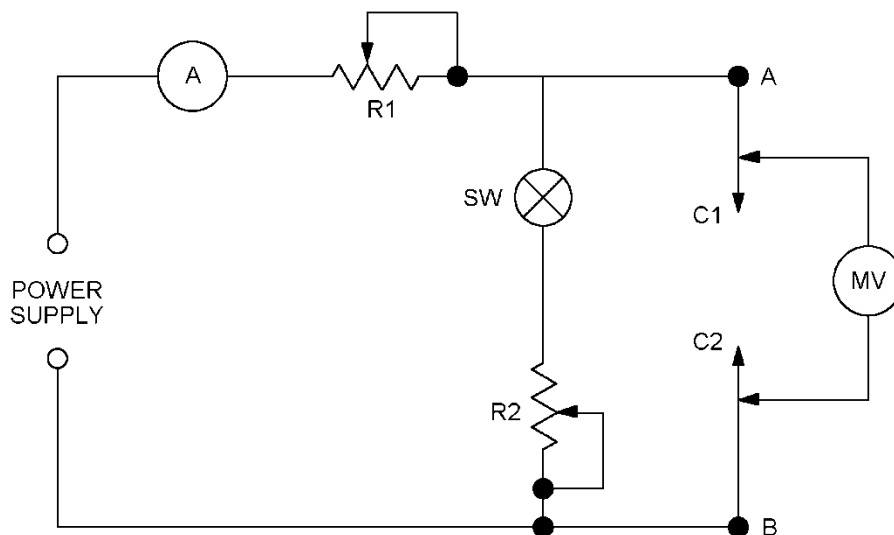
MIL-PRF-39012F  
w/AMENDMENT 3

debris from the threads or interface surfaces at intervals of not less than 50 cycles. Solvents or tools shall not be used for cleaning.

4.6.13 Contact resistance (see 3.16). All contact resistance tests shall be conducted with the apparatus shown on figure 2. Circuit adjustments and the measurement procedures for all contact resistance tests shall be in accordance with 4.6.13.1. The contact resistances to be measured are:

- a. The contact resistance between the cable braid or outer conductor and the connector at the point of contact.
- b. The contact resistance of the mated outer conductor contacts.
- c. The contact resistance of the mated inner conductor contacts.
- d. Measurement can be taken using a 4-Wire Digital Low Resistance Ohmmeter or equivalent.

4.6.13.1 General procedure. The apparatus shall be assembled as shown on figure 2. The contacts, C<sub>1</sub> – C<sub>2</sub>, shown on the figure represent the mating contacts upon which millivolt drop tests are to be conducted.



- a. Remove contacts C<sub>1</sub> – C<sub>2</sub> from the measuring circuit.
- b. Close switch SW.
- c. Adjust R<sub>2</sub> for a millivoltmeter (mVm) reading of 50 millivolts.
- d. Connect contacts C<sub>1</sub> – C<sub>2</sub> to the measuring circuit and mate.
- e. Check to see that mVm drops significantly prior to opening switch in (f).
- f. Open switch SW.
- g. Adjust R<sub>1</sub> for a circuit current (A) of one ampere.
- h. Measure the millivolt drop across contacts C<sub>1</sub> – C<sub>2</sub> and call this “e”.
- i. Compute contact resistance  $\text{Contact resistance (milliohms)} = e \text{ millivolts} \div \text{one ampere}$ .

FIGURE 2. Diagram for contact resistance.

MIL-PRF-39012F  
w/AMENDMENT 3

4.6.14 Dielectric withstanding voltage (see 3.17). Connectors shall be tested in accordance with MIL-STD-202-301. The following details shall apply:

- a. Special preparation or conditions.
  - (1) The maximum relative humidity shall be 50 percent. When facilities are not available at this test condition, connectors shall be tested at room ambient relative humidity. In case of dispute, if the test has been made at room ambient relative humidity, retest shall be made at 50 percent maximum relative humidity.
  - (2) The center contact of plug connectors and receptacle connectors shall be positioned in such a manner as to simulate actual assembly conditions.
  - (3) Precautions shall be taken to prevent air-gap voltage breakdowns.
  - (4) The voltage shall be metered on the high side of the transformer.
- b. Magnitude of test voltage (see 3.1): The voltage shall be instantaneously applied.
- c. Nature of potential: Alternating current.
- d. Points of application of test voltage: Between the center contact and body.

4.6.15 Vibration (see 3.18). A complete connector assembly shall be mounted as shown on figure 3 and vibrated in accordance with MIL-STD-202-201. The center and outer contacts shall be connected to a suitable monitoring device. Suitable coaxial cable or wire as applicable, using the normal connecting devices of the connector and clamped as shown on figure 3, shall be used. At least 100 milliamperes shall be flowing through each set of contacts. Contacts may be connected in series. The connector shall be mounted by its normal mounting device and engaged by its normal coupling device. No safety wire shall be used. Cable to cable connectors may be held to the jig on figure 3 by a suitable clamp on one half of the connector assembly. The following conditions shall apply:

- a. Test condition letter (see 3.1).
- b. Continuity shall be monitored during vibration with a detector capable of detecting interruptions of 1  $\mu$ s duration or longer, or as specified at 100 milliamperes.

MIL-PRF-39012F  
w/AMENDMENT 3

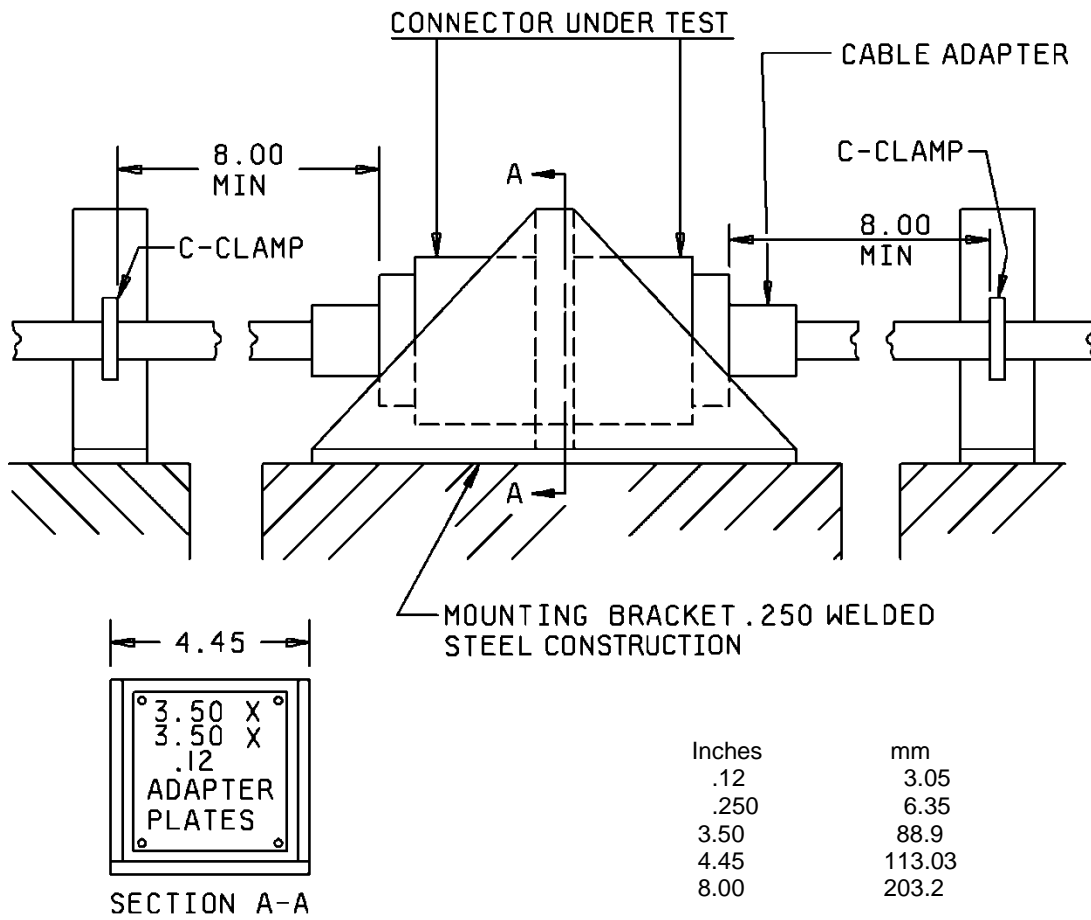


FIGURE 3. Vibration testing set-up.

4.6.16 Shock (specified pulse) (see 3.19). The connector shall be mated with its mating connector (see 3.1) and subjected to MIL-STD-202-213. The following exceptions and details shall apply:

- a. Receptacles and panel or bulkhead mounted connectors and adapters shall be mounted by normal means. All other connectors and adapters shall be rigidly clamped to the vibration table.
- b. Acceleration requirements (see 3.1).
- c. Three blows in each of three mutually perpendicular planes; one of which shall be parallel to the axis of the connector.
- d. Continuity shall be monitored during shock as specified in 4.6.15(b).
- e. Center contact resistance shall be measured in accordance with 4.6.13 after the shock test.

MIL-PRF-39012F  
w/AMENDMENT 3

4.6.17 Thermal shock (see 3.20). Connectors shall be subjected to [MIL-STD-202-107](#). The following details shall apply:

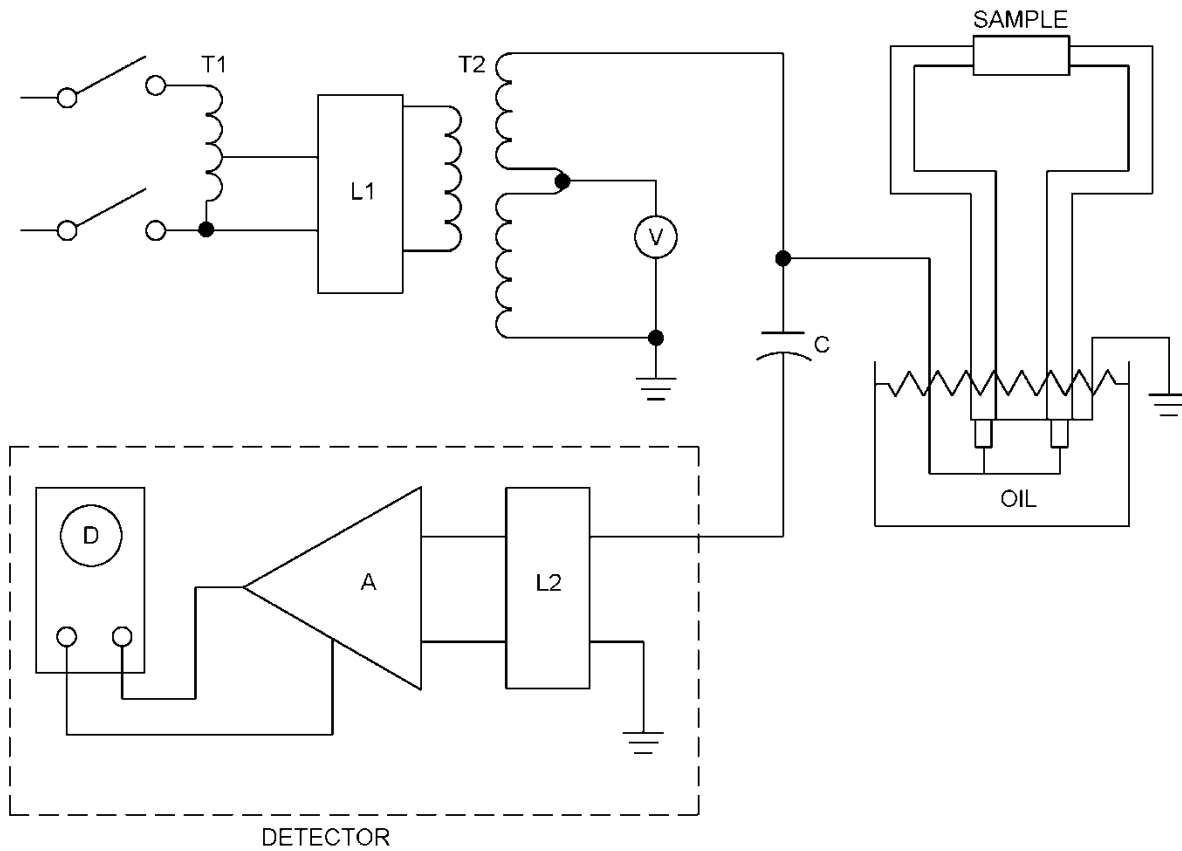
- a. Test condition letter (see 3.1).
- b. The contact resistance tests on the center contact shall be performed before and after the thermal shock test and examined for mechanical damage (see 3.1).

4.6.18 Moisture resistance (see 3.21). The connector shall be mated and cabled with its mating connector and shall be subjected to [MIL-STD-202-106](#). The following exceptions and conditions shall apply:

- a. No initial measurements.
- b. No load.
- c. Step 7b (vibration) shall be omitted.
- d. Measurements shall be made at high humidity when specified (see 3.1).
- e. The connector shall withstand the dielectric withstanding voltage specified (see 4.6.14) after the drying period.

4.6.19 Corona level (see 3.22). The test sample shall be connected to a mating connector and arranged in a suitable test circuit such as indicated on [figure 4](#). Components of the test circuit shall be corona free to the extent that a discharge of five picocoulombs or less can be measured when the 60 Hz test potential is increased to the value specified at the reduced pressure specified (see 3.1). The type of cable and length of cable used shall be as specified (see 3.1). No grease or similar compounds shall be used in or on the test item. After the sample is purged of air, the 60 Hz voltage shall be slowly increased until the detector, operated at a sensitivity of five picocoulombs, indicates a sustained corona discharge. The voltage shall then be decreased until corona is at the five picocoulombs level or less. The latter value is the corona level of the connector under test. The contractor may, at his own option, use a corona detector (which has been approved by the Government) for performing the test in lieu of the test set up on [figure 4](#).

MIL-PRF-39012F  
w/AMENDMENT 3



- C – Corona free coupling capacitor (see note 1).
- D – Discharge display.
- L1 – Input line filter (see note 2).
- L2 – 10-50 KHz detector input filter.
- A – Detector amplifier.
- T1 – 0-130 V variable transformer.
- T2 – High voltage transformer (corona free – less than 5 picocoulombs).
- V – Voltmeter.

NOTES:

1. Equal to or greater than total circuit capacitance.
2. 100 dB 14 KHz to 10 GHz.

FIGURE 4. Equipment and schematic for measuring corona level.

MIL-PRF-39012F  
w/AMENDMENT 3

4.6.20 RF high potential withstanding voltage (see 3.23). Connectors shall be mated with their mating connectors (see 3.1) and approximately 2 inches of their standard cable (see 3.1) appropriately attached. This assembly shall then be inserted into the high impedance circuit as shown on figure 5, or equivalent, and instantaneously subjected to the RF voltage and frequency specified (see 3.1) between the center contact and body of the connectors. The duration of the test shall be 1 minute. The RF voltage source shall be frequency stabilized and have an approximate pure sine wave output with minimum harmonic content. Means shall be provided to indicate disruptive discharge and leakage current. The maximum leakage current shall be as specified (see 3.1).

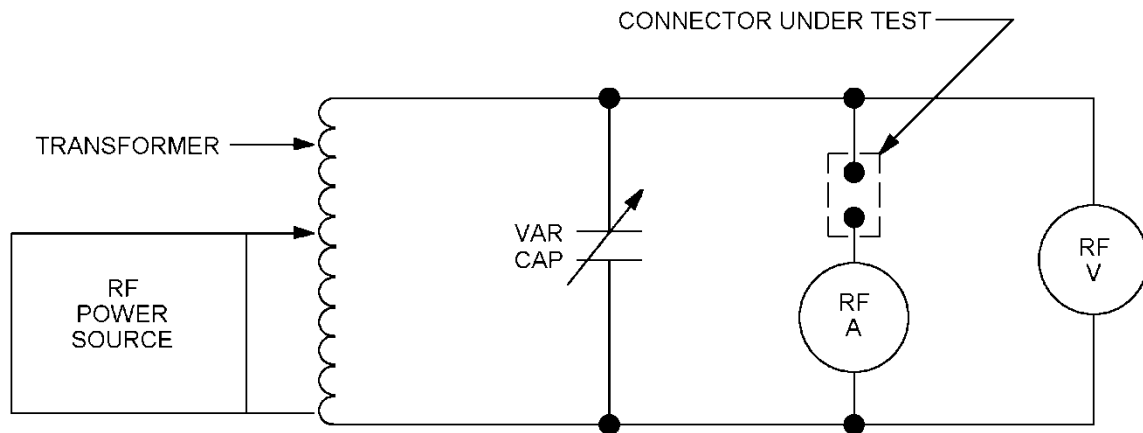


FIGURE 5. Circuit diagram for RF high potential withstanding voltage.

4.6.21 Cable retention force (see 3.24). When specified (see 3.1), the connector shall be assembled to its standard mating test cable. The connector shall be firmly fixed and a movable sleeve attached to the cable. The sleeve is then moved longitudinally away from the fixed connector gradually and in such a manner that the cable remains unbent and untwisted. A scale for measuring the retention force (see 3.1) shall be attached to the sleeve. The force shall be held for 30 seconds minimum. The assembly shall then be examined for mechanical failure, loosening, or rupture and tested for continuity using a suitable test method. When specified (see 3.1), a torque shall be applied to the cable about its axis in each direction relative to the connector at the location and to the torque value given on the detail specification sheet. The cable (flexible types only) shall then be bent at a radius of 10 times the diameter of the cable starting at the connectors at an angle of  $90^\circ \pm 5^\circ$  from the axis of the connector, then reversed  $180^\circ \pm 10^\circ$ . Repeat this procedure four times, then retest and reexamine as outlined above.

4.6.22 Coupling mechanism retention forces (see 3.25). The connector body and coupling mechanism shall be respectively secured to the lower and upper jaws of a tensile tester in an appropriate manner. A tensile load shall be applied at a rate of approximately 100 pounds/minute up to the force as specified and held at that value for one minute (see 3.1). During the one minute of steadily applied force, the coupling mechanism shall be rotated with respect to the connector body, two full revolutions in each direction.

MIL-PRF-39012F  
w/AMENDMENT 3

4.6.23 RF leakage (see 3.26). The mating connector pair to be tested shall be assembled as shown on [figure 6](#) and tested as shown on [figure 7](#). (The procedure for determining the dimensions of the cavity on [figure 7](#) may be found in [A.3.1](#) of the appendix). The close fitting brass tubing shall be machined to thread into connector in lieu of compression nut ([see 3.1](#)). This test setup between 500 MHz and 11 GHz, shall have a dynamic range from  $-20$  dBm to better than  $-100$  dBm or a difference of 90 dB. Using  $+20$  dBm RF source with 10 dB isolation, an additional 30 dB range can be obtained by use of attenuator pads or a step attenuator producing a total range of 120 dB. The shortening plunger is adjusted to produce a maximum reading in the detector with the triaxial assembly inserted. The insertion loss caused by the insertion of the triaxial assembly adjusted as shown is a measure of the total leakage of the mated connector pair both at its interface as well as at the clamping points to both cables.

Reference

"RF Leakage Characteristics of Popular Coaxial Cables and Connectors, 500 MS to 7.5 GHz", by J. Zorzy and RF Muehlberger, in the Microwave Journal, November 1961, pp 80-86.

4.6.24 RF insertion loss (see 3.27). The connector shall be tested as shown on [figure 8](#). Insertion loss of a mated connector pair is defined as the increase of a loss due to insertion of a mated connector pair in a cable; this includes the reflection losses to the cable and the dissipating losses in the pair. First insert cable assembly number 1 and tune out its input VSWR by means of tuner number 4 and balance setup. Then insert the cable assembly number 2 which includes the connector pair under test. With tuner number 4 in the same position and the electrical length of the cable assembly the same as that of number 1, record increase of insertion loss; add to this as a correction the cable loss of the removed section due to the length  $\Delta L_1 + \Delta L_2$  at this frequency. The sum of the increase and the correction is the insertion loss of the connector pair. Use of alternate test methods may be approved by the qualifying activity.

MIL-PRF-39012F  
w/AMENDMENT 3

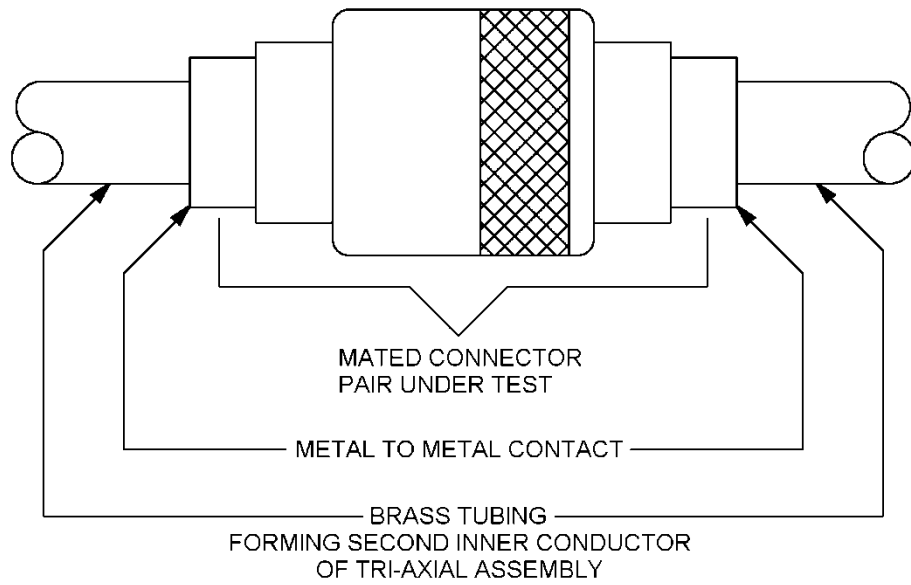


FIGURE 6. Connector assembly for RF leakage test.

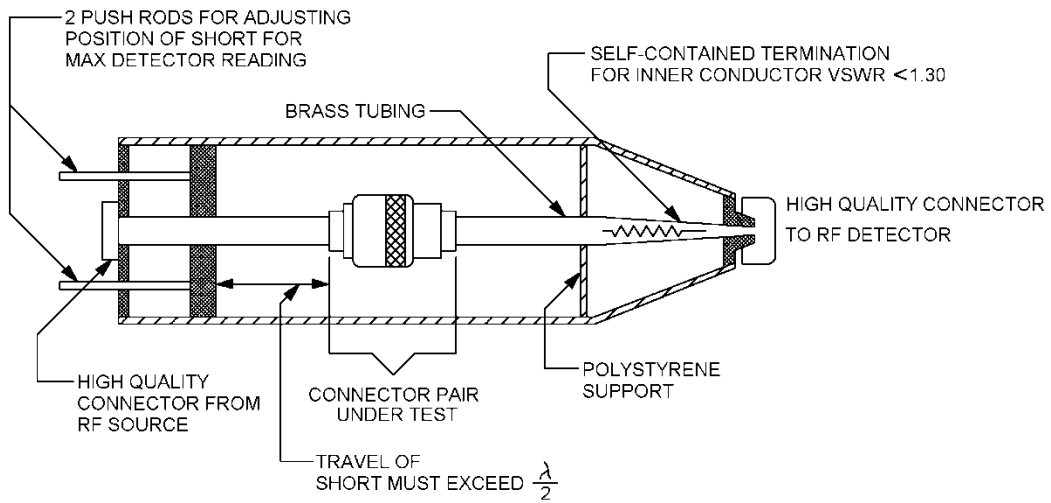
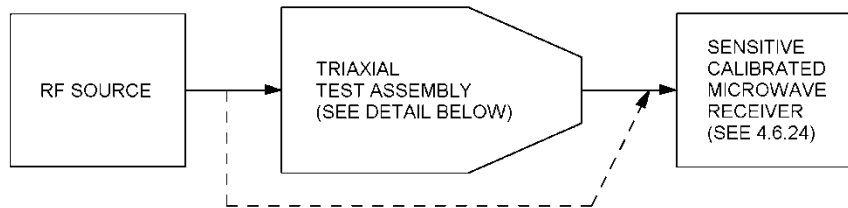


FIGURE 7. RF leakage test set-up.



MIL-PRF-39012F  
w/AMENDMENT 3

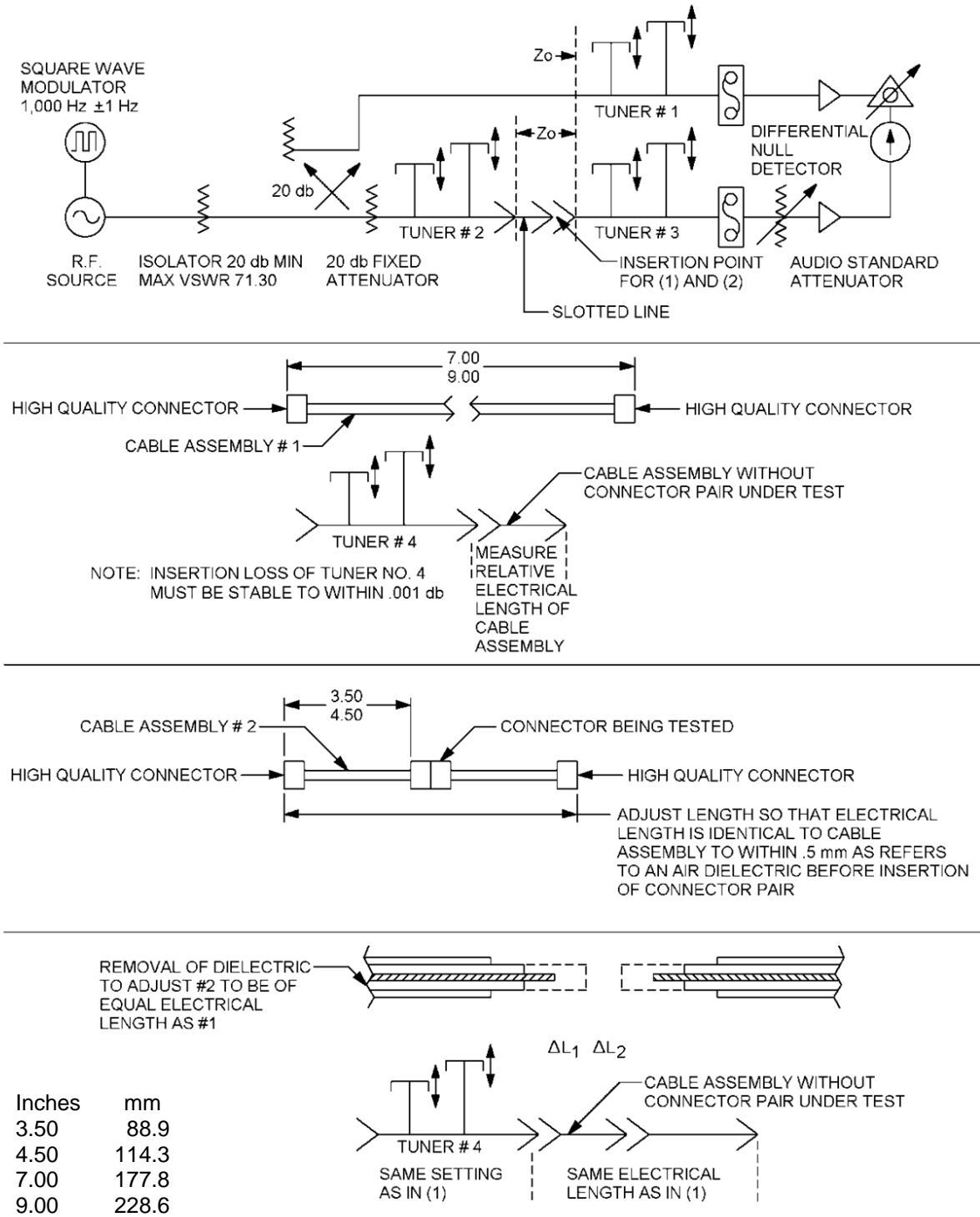


FIGURE 8. Method of insertion loss measurement of rated connector pair.

MIL-PRF-39012F  
w/AMENDMENT 3

4.6.25 Safety wire hole pullout (see 3.32). A single strand of safety wire shall be looped through the safety wire hole and secured to itself. Forces of 15 pounds (67 Newtons) minimum shall be applied to the safety wire pulling away from the connector. One pull shall be parallel to the connector axis and one pull perpendicular to the connector axis (see figure 9). The safety wire shall be corrosion resistant steel .020 inch diameter (24 gauge) or .015 inch diameter, (27 gauge) in accordance with NASM20995. This test is to be conducted under static conditions. All holes are to be tested individually.

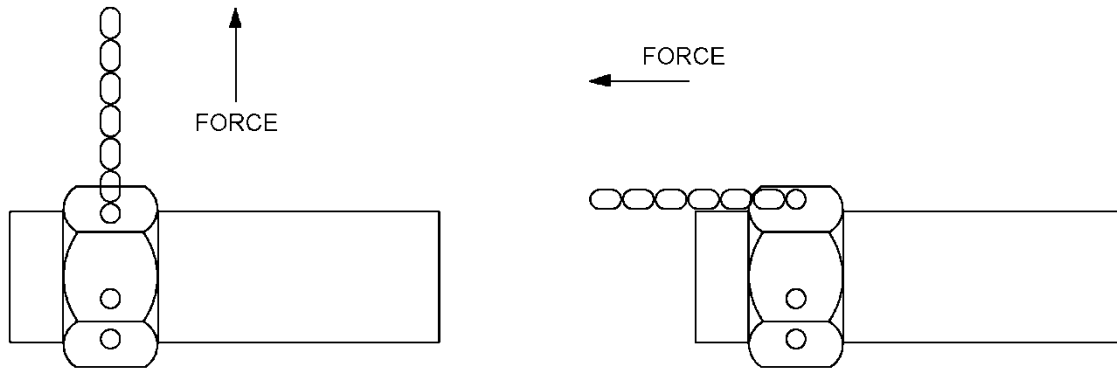


FIGURE 9. Safety wire hole pullout procedure.

## 5. PACKAGING

5.1 Packaging. For acquisition purposes, the packaging requirements shall be as specified in the contract or order (see 6.2). When packaging of materiel is to be performed by DoD or in-house contractor personnel, these personnel need to contact the responsible packaging activity to ascertain packaging requirements. Packaging requirements are maintained by the Inventory Control Point's packaging activities within the Military Service or Defense Agency, or within the Military Service System Commands. Packaging data retrieval is available from the managing Military Department's or Defense Agency's automated packaging files, CD-ROM products, or by contacting the responsible packaging activity.

## 6. NOTES

(This section contains information of a general or explanatory nature that may be helpful, but is not mandatory.)

6.1 Intended use. Connectors and fittings covered by this specification are intended for use in radiofrequency application up to the frequency specified (see 3.1).

MIL-PRF-39012F  
w/AMENDMENT 3

6.2 Acquisition requirements. Acquisition documents should specify the following:

- a. Title, number, and date of this specification.
- b. Title, number and date of the applicable detail specification.
- c. The complete PIN of the connector or fitting ordered.
- d. For category B connectors, the special tools which are to be used in the assembly of the connectors.

6.2.1 Packaging. See 5.1.

6.3 Qualification. With respect to products requiring qualification, awards will be made only for products which are, at the time of award of contract, qualified for inclusion in Qualified Products List QPL No. 39012 whether or not such products have actually been so listed by that date. The attention of the contractors is called to these requirements, and manufacturers are urged to arrange to have the products that they propose to offer to the Federal Government tested for qualification in order that they may be eligible to be awarded contracts or orders for the products covered by this specification. Information pertaining to qualification of products may be obtained from (Defense Supply Center Columbus, Land and Maritime-VQ, 3990 East Broad Street, Columbus, Ohio 43218-3990). An online listing of products qualified to this specification may be found in the Qualified Products Database (QPD) at <https://assist.dla.mil/>.

6.4 References to superseded specifications. All the requirements of MIL-PRF-39012F are interchangeable with those of MIL-PRF-39012E, therefore, previously existing documents (OEM drawings, etc.) referencing MIL-PRF-39012E need not be changed.

6.5 Cross-reference of PINs. For the substitutability relationship of items covered by this specification and items covered by superseded documents, see [table VIII](#)

6.6 Engineering parameters. The parameters of nominal impedance, voltage rating, frequency range, and temperature range will be as specified.

6.7 Installation of category "B" connectors. Field replaceable connectors for category "B" are those specified on the latest issue of the Qualified Products List and are to be adequate as a replacement without rework of the connector. The equipment parts list is to indicate the appropriate connector that will be used for the service replacement of a category "B" connector.

MIL-PRF-39012F  
w/AMENDMENT 3

TABLE VIII. Cross-reference information.

Superseded PIN M39012/	Superseding PIN M39012/	Superseded PIN M39012/	Superseding PIN M39012/
01-0001	01-0101	20-0008	20-0108
01-0002	01-0005	26-0001	26-0101
01-0003	01-0015	26-0002	26-0102
01-0004	01-0104	26-0003	26-0103
01-0025	01-0125	26-0004	26-0104
02-0001	02-0101	26-0017	26-0117
02-0002	02-0003	27-0001	27-0101
02-0004	02-0104	27-0003	27-0103
02-0005	02-0006	27-0004	27-0104
02-0031	02-0131	27-0017	27-0117
02-0032	02-0132	28-0001	28-0101
03-0001	03-0101	28-0002	28-0102
03-0002	03-0012	28-0003	28-0103
05-0001	05-0101	28-0004	28-0104
16-0001	16-0101	28-0017	28-0117
16-0002	16-0102	29-0001	29-0101
16-0003	16-0103	29-0002	29-0102
16-0011	16-0111	29-0003	29-0103
16-0018	16-0118	29-0004	29-0104
17-0001	17-0101	29-0017	29-0117
17-0002	17-0102	30-0001	30-0101
17-0003	17-0103	30-0002	30-0102
17-0011	17-0111	30-0003	30-0103
17-0018	17-0118	30-0004	30-0104
18-0001	18-0101	30-0017	30-0117
18-0002	18-0102	30-0018	30-0118
18-0003	18-0103	35-0001	35-0016
18-0011	18-0111	35-0002	35-0017
18-0018	18-0118	35-0003	35-0018
19-0001	19-0101	35-0004	35-0019
19-0002	19-0102	35-0005	35-0020
19-0010	19-0110	35-0015	35-0021
19-0011	19-0001	36-0001	36-0015
19-0018	19-0118	36-0002	36-0016
20-0001	20-0101	36-0012	35-0018
36-0013	36-0019	59-3004	59-3009
36-0014	36-0020	59-4004	59-4009
36-0011	36-0017	59-3005	59-3010
38-0001	38-0010	59-4005	59-4010
38-0002	38-0011	UG-18E/U	01-0101
38-0009	38-0012	UG-19E/U	02-0104
39-0001	39-0101	UG-20E/U	02-0101
39-0006	39-0106	UG-21G/U	01-0005
39-0007	39-0107	UG-22/U	02-0006
40-0001	40-0023	UG-23/U	02-0003
40-0002	40-0024	UG-58/U	04-0002
40-0003	40-0025	UG-88/U	16-0101
40-0004	40-0026	UG-89/U	17-0101
40-0005	40-0027	UG-159D/U	03-0101

MIL-PRF-39012F  
w/AMENDMENT 3

TABLE VIII. Cross-reference information – Continued.

Superseded PIN M39012/	Superseding PIN M39012/	Superseded PIN M39012/	Superseding PIN M39012/
55-3001	55-3006	UG-160E/U	03-0012
55-4001	55-4006	UG-167F/U	01-0104
55-3002	55-3007	UG-204D/U	01-0015
55-4002	55-4007	UG-260/U	16-0102
55-3003	55-3008	UG-261/U	17-0102
55-4003	55-4008	UG-262/U	18-0101
55-3004	55-3009	UG-290/U	22-0001
55-4004	55-4009	UG-291/U	18-0102
55-3005	55-3010	UG-568/U	12-0001
55-4005	55-4010	UG-569/U	14-0001
56-3001	56-3006	UG-570/U	11-0002
56-4001	56-4006	UG-571/U	08-0001
56-3002	56-3007	UG-572/U	07-0001
56-4002	56-4007	UG-573C/U	06-0002
56-3003	56-3008	UG-594C/U	05-0101
56-4003	56-4008	UG-625/U	21-0001
56-3004	56-3009	UG-626C/U	06-0001
56-4004	56-4009	UG-627/U	15-0001
56-3005	56-3010	UG-629/U	08-0002
56-4005	56-4010	UG-630/U	11-0001
57-3001	57-3006	UG-631/U	09-0001
57-4001	57-4006	UG-633/U	07-0002
57-3002	57-3007	UG-680/U	04-0001
57-4002	57-4007	UG-704/U	09-0002
57-3003	57-3008	UG-705/U	14-0002
57-4003	57-4008	UG-706/U	13-0001
57-3004	57-3009	UG-707C/U	06-0003
57-4004	57-4009	UG-708C/U	06-0005
57-3005	57-3010	UG-709/U	15-0002
57-4005	57-4010	UG-710/U	10-0001
58-3001	58-3006	UG-711C/U	06-0004
58-4001	58-4006	UG-909/U	19-0101
58-3002	58-3007	UG-910/U	19-0102
58-4002	58-4007	UG-911/U	24-0001
58-3003	58-3008	UG-912/U	24-0002
58-4003	58-4008	UG-913/U	20-0101
58-3004	58-3009	UG-935D/U	02-0032
58-4004	58-4009	UG-940C/U	02-0031
58-3005	58-3010	UG-941C/U	01-0125
58-4005	58-4010	UG-1033/U	16-0103
59-3001	59-3006	UG-1055/U	18-0103
59-4001	59-4006	UG-1056/U	17-0103
59-3002	59-3007	UG-1094/U	21-0002
59-4002	59-4007	UG-1098/U	23-0001
59-3003	59-3008	UG-1174/U	23-0002
59-4003	59-4008	UG-1185A/U	01-0005
UG-1186A/U	02-0003	UG-1767/U	09-0003
UG-1187A/U	02-0006	UG-1768/U	09-0004
UG-1392/U	44-2001	UG-1769/U	10-0002
UG-1393/U	44-2002	UG-1770/U	10-0003
UG-1394/U	48-2001	UG-1771/U	10-0004
UG-1395/U	46-2001	UG-1773/U	11-0004

MIL-PRF-39012F  
w/AMENDMENT 3

TABLE VIII. Cross-reference information – Continued.

Superseded PIN M39012/	Superseding PIN M39012/	Superseded PIN M39012/	Superseding PIN M39012/
UG-1396/U	46-2002	UG-1774/U	11-0005
UG-1397/U	45-2001	UG-1775/U	11-0006
UG-1398/U	45-2002	UG-1776/U	11-0007
UG-1399/U	49-2001	UG-1777/U	11-0008
UG-1460/U	73-0001	UG-1779/U	15-0003
UG-1461/U	75-0001	UG-1780/U	15-0004
UG-1462/U	74-0001	UG-1785/U	16-0004
UG-1463/U	76-0001	UG-1786/U	16-0005
UG-1464/U	77-0002	UG-1787/U	16-0006
UG-1465/U	73-0002	UG-1788/U	16-0007
UG-1466/U	75-0002	UG-1789/U	16-0008
UG-1467/U	74-0002	UG-1790/U	16-0010
UG-1468/U	76-0002	UG-1791/U	16-0009
UG-1487/U	01-0015	UG-1792/U	18-0010
UG-1533/U	47-2001	UG-1793/U	18-0009
UG-1537A/U	03-0012	UG-1794/U	17-0004
UG-1619/U	77-0001	UG-1795/U	17-0005
UG-1696/U	02-0015	UG-1796/U	17-0006
UG-1697/U	02-0016	UG-1797/U	17-0007
UG-1698/U	02-0017	UG-1798/U	17-0008
UG-1700/U	03-0004	UG-1799/U	17-0010
UG-1707/U	05-0002	UG-1800/U	17-0009
UG-1708/U	05-0003	UG-1801/U	18-0008
UG-1746/U	06-0006	UG-1802/U	18-0004
UG-1748/U	06-0007	UG-1803/U	18-0005
UG-1749/U	06-0008	UG-1804/U	19-0003
UG-1750/U	06-0009	UG-1805/U	19-0004
UG-1751/U	06-0010	UG-1806/U	19-0005
UG-1752/U	06-0011	UG-1807/U	19-0006
UG-1753/U	06-0012	UG-1808/U	19-0007
UG-1754/U	07-0003	UG-1809/U	19-0009
UG-1755/U	07-0004	UG-1810/U	19-0008
UG-1756/U	07-0005	UG-1811/U	18-0007
UG-1758/U	07-0007	UG-1812/U	20-0002
UG-1759/U	07-0008	UG-1813/U	20-0003
UG-1761/U	08-0003	UG-1814/U	18-0006
UG-1762/U	08-0004	UG-1817/U	10-0014
UG-1763/U	08-0005	UG-1819/U	03-0011
UG-1765/U	08-0007		

MIL-PRF-39012F  
w/AMENDMENT 3

TABLE VIII. Cross-reference information – Continued.

Hardware to connectors			
CW-123A/U	25-0006	MX-1286/U	25-0013
CW-155A/U	25-0015	MX-1142A/U	25-0001
CW-159/U	25-0016		25-0002
	25-0017	MX-1143A/U	25-0003
MX-195/U	25-0010		25-0004
CW-282/U	25-0008	MX-1144/U	25-0005
	25-0009		
MX-913/U	25-0011		
	25-0012		

6.8 Subject term (key word) listing.

Brass  
Copper beryllium  
Nickel  
Silver

6.9 Amendment notations. The margins of this specification are marked with vertical lines to indicate modifications generated by this amendment. This was done as a convenience only and the Government assumes no liability whatsoever for any inaccuracies in these notations. Bidders and contractors are cautioned to evaluate the requirements of this document based on the entire content irrespective of the marginal notations.

APPENDIX A

ADDITIONAL INFORMATION ON TEST PROCEDURES

A.1 SCOPE

A.1.1 Scope. This appendix is a mandatory part of this specification. The information contained herein is intended for compliance. This appendix is to provide additional information to the user of this specification in performing the voltage standing wave ratio, RF leakage, and insertion loss tests.

A.2 TEST TYPES

A.2.1 Voltage standing wave ratio (see 4.6.11).

A.2.1.1 Test connector. The standard test-connector interface shall be in accordance with [MIL-STD-348](#). The standard test connector impedance shall be  $50 \pm 0.5$  ohms.

A.3 MEASUREMENTS

A.3.1 RF leakage (see 4.6.23).

A.3.1.1 Measurement technique. The measurement of the leakage from connectors is performed by collecting the leakage energy in a coaxial system surrounding the leakage source. An outline of the instrumentation is shown on [figure 7](#). The device from which leakage is to be measured is incorporated on a uniform transmission line which is terminated in a matched load. The matched termination simplifies both the measurement procedure and data reduction. This complete coaxial system is embodied within a cylinder which forms, externally, a second coaxial system. The second coaxial system is terminated at one end in an adjustable short-circuiting plunger and at the other in a tapered transition terminated in a matched detector.

For direct leakage measurements the adjustable short circuit serves several purposes.

The short-circuit position is adjusted to assure that an adequately low impedance appears behind the equivalent leakage generator. A matched termination can be substituted, but the resulting 6-dB loss cannot be tolerated in some cases. In addition, if the leakage source is directional, as it indeed is for connectors with multiple leakage, it is possible for the leakage to be directed to this termination at some frequencies and not collected by the detector. For surface transfer-impedance measurements on connectors with leakage from more than one point in the connector, however, a matched termination is desirable in order to simplify the transformation of the measured data to absolute transfer impedance data. This is not needed to make relative comparisons in this test.

The equivalent leakage generator, in general, can have field components in the radial, axial, and circumferential\* directions. Furthermore, these components are not necessarily circularly symmetric. Locally, TE, TM, and TEM modes can all exist, and in fact, for complete leakage measurements, the detector should couple to all but the measurement is more complex in this case. The excitation of the outer coaxial line, however, is believed to be principally TEM, since the currents in the internal line are predominantly axial and symmetric. It is however, possible to have a symmetrical leakage current which can generate the above mentioned modes. It is recommended that all measurements be made below the frequency that the higher order modes can propagate in the outer coaxial line.



APPENDIX A

The characteristic impedance of the outer coaxial line of the tri-axial system, which is formed with the inner conductor, should be matched to the detector. 50-ohm coaxial circuits are generally desired for convenience.

\*NOTE: The circumferential E field component is not usually present in axially symmetric components.

The leakage power ratio is defined here as the ratio of the power detected to a 50-ohm detector at the output of the tri-axial unit to the power flowing through the internal 50-ohm connector or cable system. It is basically the attenuation through the tri-axial system. This definition appears arbitrary in the sense that 50 ohms is an arbitrary load impedance. However, since the leakage source impedance is comparatively low, the voltage at the detector is essentially the open circuit leakage voltage. The ratio of the input voltage to the leaky device to this output voltage is an absolute leakage quantity, as is the measured power ratio, which is identically equal to the square of this voltage ratio.

The surface transfer impedance is obtained from this ratio as follows:

The surface transfer impedance is.

$$Z_{11} = \frac{e_2}{I_1}$$

Where  $I_1$  = Current flowing in internal line and

$e_2$  = Equivalent leakage voltage in external line.

In the connector leakage case, considering the equivalent leakage generator to be  $e_2$  with an extremely low source impedance, this voltage  $e_2$  appears at detector terminals, and the adjustable short circuit assures this. For a 50-ohm transmission-line system, the input power is

$$\frac{I_i^2}{50}$$

The measured output power is:

$$\frac{e_2^2}{50} \quad (1)$$

The measured power ratio  $A^2$  is therefore,

$$A^2 = \frac{\frac{e_2^2}{50}}{\frac{I_i^2}{50}} = \frac{e_2^2}{(50)^2 I_i^2} \quad (2)$$

APPENDIX A

Substituting and by definition,

$$Z_{21} = \frac{e_2}{i_1} = 50 \text{ A} \quad (3)$$

The tri-axial system was set up principally to assess the relative leakage.

A.3.1.2 Measurement procedure. In measuring the leakage power ratio,  $A^2$ , basically a substitution technique is employed. A matched detector system is installed at the output connector of the tri-axial unit, and the unit is driven as shown on [figure 7](#). In this set-up, the short circuit is adjusted to produce a maximum indication at the detector. The detector is then connected directly to the source and the change of attenuation required to yield the initial detector level, is measured.

The sensitivity of this system is obviously limited by the sensitivity of the detector and the power available. A sensitive parallel IF substitution system is employed, and for the low leakage configuration about 100 milliwatts of power is required.

The principal sources of error are attenuator errors and mismatch at the receiver (mixer) input. For connector measurements, the error due to mismatch is directly proportional to VSWR since the equivalent leakage source impedance is small. The indicated leakage power can vary between the extremes.  $P \times \text{VSWR}$  to  $P + \text{VSWR}$ , where  $P$  is the power that would be delivered to a matched system. A VSWR of 2 will produce  $\pm 3$  -dB error therefore.

In advance of installing the inner coaxial system into the outer of the tri-axial system, the inner system may be excited, and the immediate vicinity of the leakage point or associated connector and attachment points probed with a small loop or dipole to establish how critical the mating, the connector and joints are.

#### A.4 RF insertion loss ([see 4.6.23](#)).

A.4.1 The following procedure may be used when performing the insertion loss test of 4.6.24: Assemble one  $8" \pm 1"$  long cable assembly terminated in a male and female test connector. Record its relative electrical length. Tune out its input VSWR using tuner number 4. Do not disturb tuner. For N, C, SC use M17/75-RG214 and "N" test connectors. For BNC, TNC, and TPS, use solid copper shield cable equivalent of M17/111-RG303 (Coaxitube number 1163.T1403-20 of Precision Tube Co.) and TNC connectors. Measure insertion loss  $L_1$  of tuner number 4 and test cable.

Insert the connector pair to be tested in the middle, remove enough so that the electrical length is the same as above within 0.05 cm, record  $\Delta l_1 + \Delta l_2$  the total length of dielectric removed; keep tuner number 4 in the same position as above. Measure insertion loss  $L_2$  of tuner number 4 and test cable including connector pair.

Measure attenuation of 50 feet of test cable and compute loss  
 $\alpha$  per inch  $L_c = L_2 - L_1 + a$  ( $\Delta l_1 = \Delta l_2$ ).

MIL-PRF-39012F  
w/AMENDMENT 3

APPENDIX B

ADDITIONAL INFORMATION ON CABLE GROUPINGS

B.2 SCOPE

B.2.1 Scope. This appendix is not a mandatory part of the specification. The information contained herein is intended for guidance only. This appendix is to provide additional information in determining the cable to connector combinations available.

B.2.2 Cable groupings. See notes at end of listing.

Group I

Cable M17/	Zo	F	Dielectric	Group: I Category: A, B
93-RG178	50	3	PTFE	*
169-00001	50	0.4	PTFE	X

Group II

Cable M17/	Zo	F	Dielectric	Group	II	IIa	IIb
				Category	A	C	C
119-RG174	50	1	PE		X	X	
173-00001	50	0.4	PE		X	X	
196-00001 <u>1/</u>	50	1	PTFE		X	X	
113-RG316	50	3	PTFE		*	*	
172-00001	50	0.4	PTFE		X	X	
94-RG179	75	3	PTFE		X		*

1/ This cable is intended for low smoke applications.

Group III

Cable M17/	Zo	F	Dielectric	Group: III Category: A, C
152-00001	50	12.4	PTFE	*

Group IV

Cable M17/	Zo	F	Dielectric	Group: IV Category: A, C, D
54-RG122	50	1	PE	*
157-00001	50	0.4	PE	X
187-00001 <u>1/</u>	50	1	PE	X
198-00001 <u>1/</u>	50	0.4	PE	X

1/ This cable is intended for low smoke applications.

MIL-PRF-39012F  
w/AMENDMENT 3

APPENDIX B

Group V

Cable M17/	Zo	F	Dielectric	Group: V Category: A, C, D
95-RG180	95	3	PTFE	*

Group VI

Cable M17/	Zo	F	Dielectric	Group	VI	VIa	VIb
				Category	A	C, D	C, D
28-RG058	50	1	PE		X	X	
155-00001	50	0.4	PE		X	X	
183-00001 <u>1/</u>	50	1	PE		X	X	
197-00001 <u>1/</u>	50	0.4	PE		X	X	
111-RG303	50	3	PTFE		X	*	
170-00001	50	0.4	PTFE		X	X	
60-RG142	50	12.4	PTFE		X		X
158-00001	50	0.4	PTFE		X		X
84-RG223	50	12.4	PE		X		X
167-00001	50	0.4	PE		X		X
194-00001 <u>1/</u>	50	12.4	PE		X		X
200-00001 <u>1/</u>	50	0.4	PE		X		X
128-RG400	50	12.4	PTFE		*		*
175-00001	50	0.4	PTFE		X		X

1/ This cable is intended for low smoke applications.

Group VII

Cable M17/	Zo	F	Dielectric	Group	VII	VIIa	VIIb
				Category	A	C	C
29-RG58	75	1	PE		X	X	
184-00001 <u>1/</u>	75	1	PE		X	X	
110-RG302	75	3	PTFE		*	*	
30-RG062	93	1	PE		X	X	
185-00001 <u>1/</u>	93	1	PE		X	X	
97-RG210	93	3	PTFE		X	X	
90-RG71	93	1	PE		X		*
195-00001 <u>1/</u>	93	1	PE		X		X

1/ This cable is intended for low smoke applications.

MIL-PRF-39012F  
w/AMENDMENT 3

APPENDIX B

Group VIII

Cable M17/	Zo	F	Dielectric	Group: VIII Category: A, C
2-RG6	75	3	PE	X
180-00001 <u>1/</u>	75	3	PE	X
73-RG212	50	11	PE	X
162-00001 <u>1/</u>	50	0.4	PE	X
188-00001 <u>1/</u>	50	11	PE	X
199-00001 <u>1/</u>	50	0.4	PE	X
112-RG304	50	12.4	PTFE	*
171-00001	50	0.4	PTFE	X

1/ This cable is intended for low smoke applications.

Group IX

Cable M17/	Zo	F	Dielectric	Group: IX Category: A
92-RG115	50	12.4	PTFE	*
168-00001	50	0.4	PTFE	X

Group X

Cable M17/	Zo	F	Dielectric	Group	X	Xa	Xb	Xc	Xd
				Category	A	C, D	C, D	C	C
6-RG11	75	1	PE		X			X	
181-00001 <u>1/</u>	75	1	PE		X			X	
62-RG144	75	3	PTFE		X			X	
65-RG165	50	3	PTFE		X	*			
159-00001	50	0.4	PTFE		X	X			
74-RG213	50	1	PE		X	X			
189-00001 <u>1/</u>	50	1	PE		X	X			
163-00001	50	0.4	PE		X	X			
75-RG214	50	11	PE		X		X		
190-00001 <u>1/</u>	50	11	PE		X		X		
164-00001	50	0.4	PE		X		X		
86-00001	50	0.4	PTFE		X		*		
127-RG393	50	11	PTFE		*		X		
174-00001	50	0.4	PTFE		X		X		
77-RG216	75	3	PE		X				*
191-00001 <u>1/</u>	75	3	PE		X				X

1/ This cable is intended for low smoke applications.

MIL-PRF-39012F  
w/AMENDMENT 3

APPENDIX B

Group XI

Cable M17/	Zo	F	Dielectric	Group: XI Category: A
74-RG215	50	1	PE	*
189-00002 <u>1/</u>	50	1	PE	X

1/ This cable is intended for low smoke applications.

Group XII

Cable M17/	Zo	F	Dielectric	Group: XII Category: A, C
78-RG217	50	3	PE	*
165-00001	50	0.4	PE	X
192-00001 <u>1/</u>	50	3	PE	X

1/ This cable is intended for low smoke applications.

Group XIII

Cable M17/	Zo	F	Dielectric	Group: XIII Category: A
72-RG211	50	1	PTFE	*
161-00001	50	0.4	PTFE	X

Group XIV

Cable M17/	Zo	F	Dielectric	Group: XIV Category: A
79-RG218	50	1	PE	*
166-00001	50	0.4	PE	X
193-00001 <u>1/</u>	50	1	PE	X

1/ These cables are intended for low smoke applications.

MIL-PRF-39012F  
w/AMENDMENT 3

APPENDIX B

Group XV

Cable M17/	Zo	F	OD (mm)	Dielectric	Groups				
					XV	XVI	XVII	XVIII	XIX
129-RG401	50	18	6.35	PTFE	X				
129-00001	50	18	6.35	PTFE	X				
130-RG402	50	20	3.58	PTFE		X			
130-00001	50	20	3.58	PTFE		X			
130-00002	50	20	3.58	PTFE		X			
130-00003	50	20	3.58	PTFE		X			
130-00004	50	20	3.58	PTFE		X			
130-00005	50	20	3.58	PTFE		X			
130-00006	50	20	3.58	PTFE		X			
130-00007	50	20	3.58	PTFE		X			
133-RG405	50	20	2.18	PTFE			X		
133-00001	50	20	2.18	PTFE			X		
133-00002	50	20	2.18	PTFE			X		
133-00003	50	20	2.18	PTFE			X		
133-00004	50	20	2.18	PTFE			X		
133-00005	50	20	2.18	PTFE			X		
133-00006	50	20	2.18	PTFE			X		
133-00007	50	20	2.18	PTFE			X		
133-00008	50	20	2.18	PTFE			X		
133-00009	50	20	2.18	PTFE			X		
133-00010	50	20	2.18	PTFE			X		
133-00011	50	20	2.18	PTFE			X		
151-00001	50	20	1.19	PTFE				X	
151-00002	50	20	1.19	PTFE				X	
154-00001	50	20	0.86	PTFE					X
154-00002	50	20	0.86	PTFE					X

mm	Inches
0.86	.034
1.19	.047
2.18	.086
3.58	.141
6.35	.250

NOTES:

1. Zo denotes nominal impedance in ohms.
2. F denotes the upper frequency limit in GHz. For cables with 0.4, the structural return loss and the power handling capability are not specified. Attenuation is tested only at 0.4 GHz.
3. PE denotes a polyethylene dielectric. PTFE denotes a polytetrafluoroethylene dielectric.
4. Dimensions are in millimeters. Inch-pound equivalents are given for information only.
5. \* denotes preferred cable.

MIL-PRF-39012F  
w/AMENDMENT 3

CONCLUDING MATERIAL

Custodians:

Army – CR  
Navy – EC  
Air Force – 85  
NASA – NA  
DLA - CC

Preparing activity:  
DLA - CC

(Project 5935-2017-072)

Review activities:

Army – AR, AT, MI  
Navy – AS, MC, OS, SH  
Air Force – 19, 99

NOTE: The activities listed above were interested in this document as of the date of this document. Since organizations and responsibilities can change, you should verify the currency of the information above using the ASSIST Online database at <https://assist.dla.mil>.